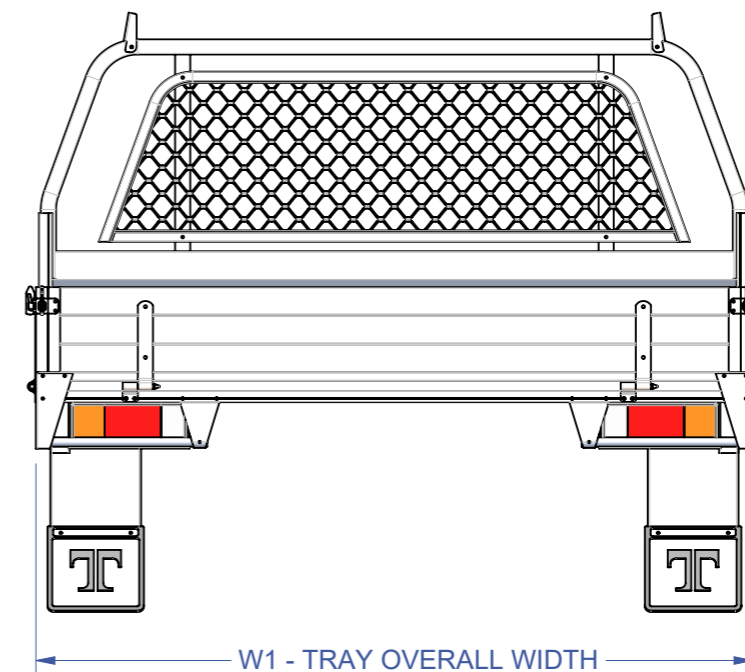


| Lengths (mm)              | L1                  | L2                   | L3                      |
|---------------------------|---------------------|----------------------|-------------------------|
|                           | Overall Tray Length | Internal Tray Length | Internal with Rear Rack |
| Standard Length           | 1910                | 1825                 | 1730                    |
| Extend Tray Length - 88mm | 1998                | 1913                 | 1818                    |

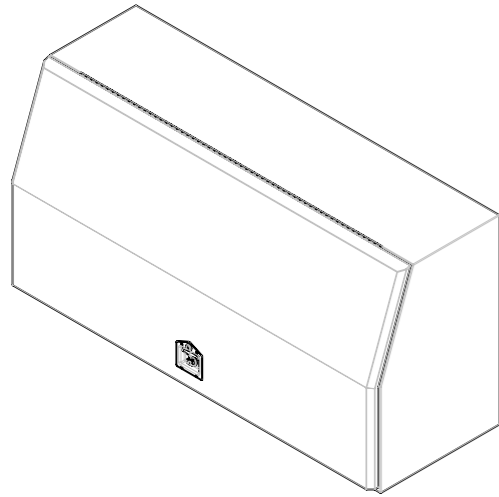
| Widths (mm) | W1                 | W2                  | W2                      |
|-------------|--------------------|---------------------|-------------------------|
|             | Overall Tray Width | Internal Tray Width | Internal with Rear Rack |
|             | 1890               | 1832                | 1720                    |

| Heights (mm) | H1              | H1                       | H2                              |
|--------------|-----------------|--------------------------|---------------------------------|
|              | Standard Height | Height with Trundle Tray | Height to Floor 225mm Drop Side |
|              | 940             | 915                      | 244                             |



Note: Tip Top Equipment reserves the right to change specifications, materials used, and prices at any time.

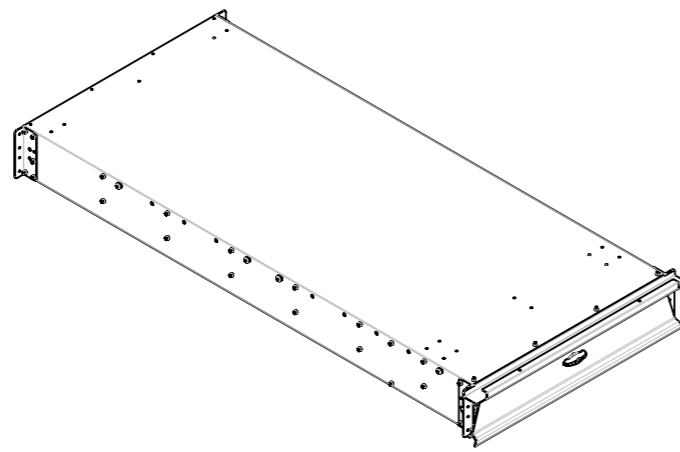
## TOOLBOXES



**TAJ 1425**  
2mm ALUMINIUM CHECKER PLATE  
1425L x 850H x 600D

**TAJ 1700**  
2mm ALUMINIUM CHECKER PLATE  
1700L x 850H x 600D

## TRUNDLE TRAYS

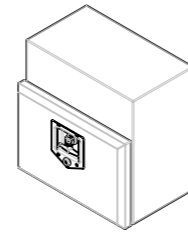


**QTT 1500**  
External: 1500L x 750W x 170H  
Internal: 1440L x 680W x 134H

**QTT 1800**  
External: 1800L x 750W x 170H  
Internal: 1740L x 680W x 134H

**QTT 2100**  
External: 2100L x 750W x 170H  
Internal: 2040L x 680W x 134H

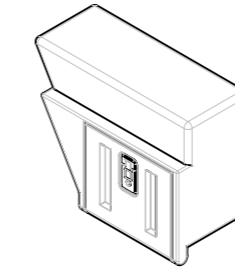
## UNDER BODY BOXES



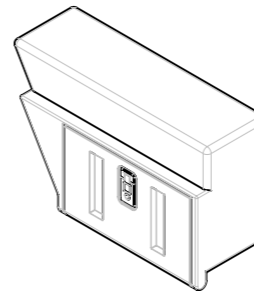
**ROPE BOX**  
QT B 40  
ALUMINIUM  
CHECKER PLATE  
400L x 400H x 270D



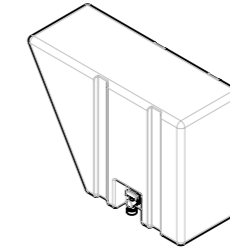
**HANDWASH UNIT**  
QHW 15  
BLACK POLY  
340L x 300H x 250D



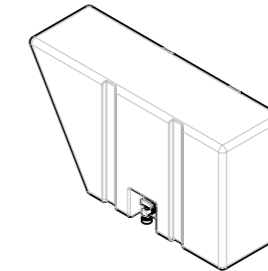
**ROPE BOXES**  
RB 375B L/R  
BLACK POLY  
590L x 400H x 270D



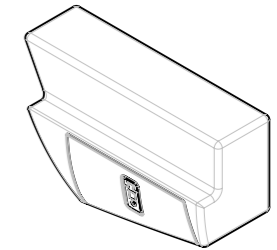
RB 550B L/R  
BLACK POLY  
740L x 400H x 270D



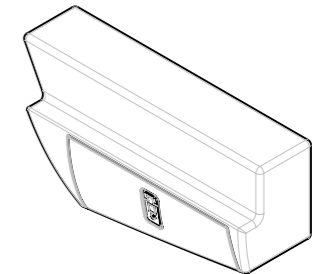
**WATER TANKS**  
UWT 35LB L/R  
BLACK POLY  
590L x 400H x 270D



UWT 55LB L/R  
BLACK POLY  
740L x 400H x 270D



**SPORTS PANNIER BOXES**  
PS 520B L/R  
BLACK POLY  
740L x 270D



PS 675B L/R  
BLACK POLY  
900L x 270D

| Toyota Hilux Dual Cab     |           | Tool Boxes |          | Trundle Tray Storage Drawer |          |          | Under Body Boxes Front - Passenger |        |           |           | Front - Drivers Side |        |           |           | Rear - Both Sides |        |             |             |              |              |             |             |   |
|---------------------------|-----------|------------|----------|-----------------------------|----------|----------|------------------------------------|--------|-----------|-----------|----------------------|--------|-----------|-----------|-------------------|--------|-------------|-------------|--------------|--------------|-------------|-------------|---|
| L1 Overall Tray Length mm | Rear Rack | TAJ 1425   | TAJ 1700 | QTT 1500                    | QTT 1800 | QTT 2100 | QT B 40                            | QHW 15 | RB 375B L | RB 550B L | QT B 40              | QHW 15 | RB 375B R | RB 550B R | QT B 40           | QHW 15 | RB 375B L/R | RB 550B L/R | UWT 35LB L/R | UWT 55LB L/R | PS 520B L/R | PS 675B L/R |   |
| 1910                      | No        | ●          | ●        | ●                           |          |          |                                    |        |           |           |                      |        |           |           | ●                 | ●      | ●           | ●           | ●            | ●            | ●           | ●           |   |
|                           | Yes       | ●          |          | ●                           |          |          |                                    |        |           |           |                      |        |           |           | ●                 | ●      | ●           | ●           | ●            | ●            | ●           |             |   |
| 1998                      | No        | ●          | ●        | ●                           | ●        |          |                                    |        |           |           |                      |        |           |           | ●                 | ●      | ●           | ●           | ●            | ●            | ●           | ●           | ● |
|                           | Yes       | ●          |          | ●                           | ●        |          |                                    |        |           |           |                      |        |           |           | ●                 | ●      | ●           | ●           | ●            | ●            | ●           | ●           | ● |

Note: Tip Top Equipment reserves the right to change specifications, materials used, and prices at any time.