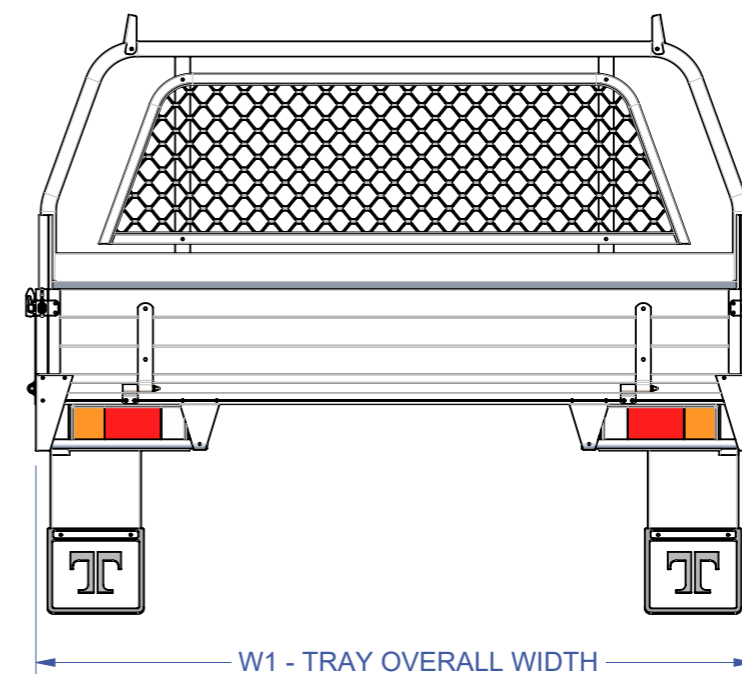
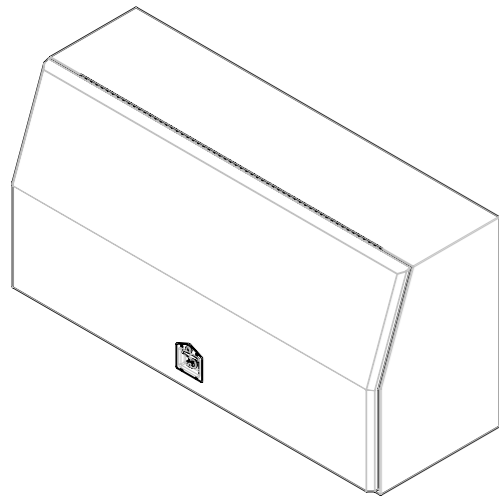


| Lengths (mm)               | L1                     | L2                          | L3                                 |
|----------------------------|------------------------|-----------------------------|------------------------------------|
|                            | Overall<br>Tray Length | Internal<br>Tray Length     | Internal with<br>Rear Rack         |
| Standard Length            | 2530                   | 2445                        | 2350                               |
| Extend Tray Length - 88mm  | 2618                   | 2533                        | 2438                               |
| Extend Tray Length - 177mm | 2707                   | 2622                        | 2527                               |
| Extend Tray Length - 265mm | 2795                   | 2710                        | 2615                               |
| Widths (mm)                | W1                     | W2                          | W2                                 |
|                            | Overall<br>Tray Width  | Internal<br>Tray Width      | Internal with<br>Rear Rack         |
|                            | 1890                   | 1832                        | 1720                               |
| Heights (mm)               | H1                     | H1                          | H2                                 |
|                            | Standard<br>Height     | Height with<br>Trundle Tray | Height to Floor<br>225mm Drop Side |
|                            | 940                    | 940                         | 244                                |



Note: Tip Top Equipment reserves the right to change specifications, materials used, and prices at any time.

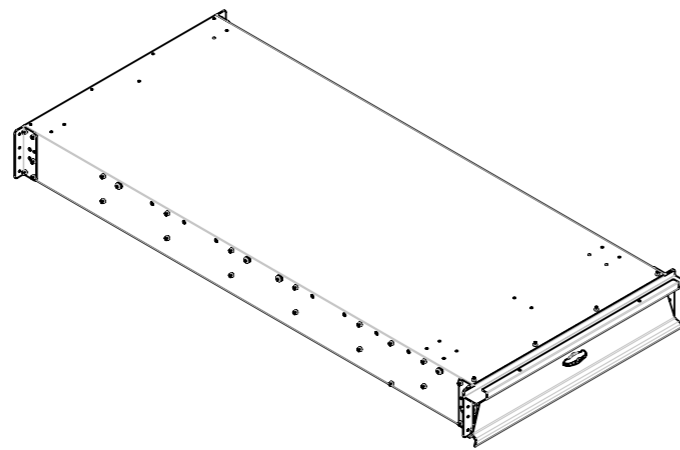
## TOOLBOXES



**TAJ 1425**  
2mm ALUMINIUM CHECKER PLATE  
1425L x 850H x 600D

**TAJ 1700**  
2mm ALUMINIUM CHECKER PLATE  
1700L x 850H x 600D

## TRUNDLE TRAYS

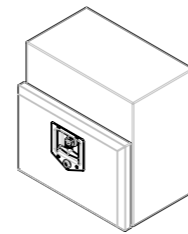


**QTT 1500**  
External: 1500L x 750W x 170H  
Internal: 1440L x 680W x 134H

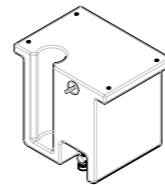
**QTT 1800**  
External: 1800L x 750W x 170H  
Internal: 1740L x 680W x 134H

**QTT 2100**  
External: 2100L x 750W x 170H  
Internal: 2040L x 680W x 134H

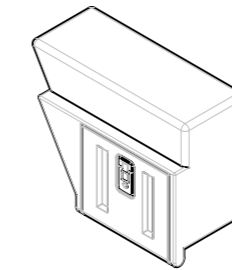
## UNDER BODY BOXES



**ROPE BOX**  
QT B 40  
ALUMINIUM  
CHECKER PLATE  
400L x 400H x 270D

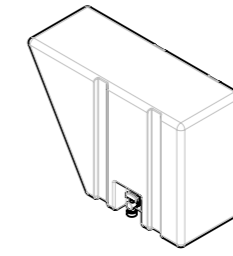


**HANDWASH UNIT**  
QHW 15  
BLACK POLY  
340L x 300H x 250D



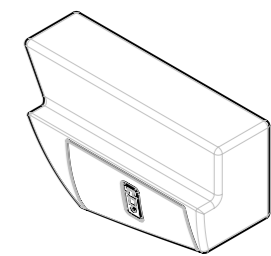
**ROPE BOXES**  
RB 375B L/R  
BLACK POLY  
590L x 400H x 270D

RB 550B L/R  
BLACK POLY  
740L x 400H x 270D



**WATER TANKS**  
UWT 35LB L/R  
BLACK POLY  
590L x 400H x 270D

UWT 55LB L/R  
BLACK POLY  
740L x 400H x 270D



**SPORTS PANNIER BOXES**  
PS 520B L/R  
BLACK POLY  
740L x 270D

PS 675B L/R  
BLACK POLY  
900L x 270D

| Colorado / Isuzu D-Max Single Cab |           | Tool Boxes |          | Trundle Tray Storage Drawer |         |         | Under Body Boxes Front - Passenger |       |          |          | Front - Drivers Side |       |          |          | Rear - Both Sides |       |            |            |             |             |            |            |   |
|-----------------------------------|-----------|------------|----------|-----------------------------|---------|---------|------------------------------------|-------|----------|----------|----------------------|-------|----------|----------|-------------------|-------|------------|------------|-------------|-------------|------------|------------|---|
| L1 Overall Tray Length mm         | Rear Rack | TAJ 1425   | TAJ 1700 | QTT1500                     | QTT1800 | QTT2100 | QT B40                             | QHW15 | RB375B L | RB550B L | QT B40               | QHW15 | RB375B R | RB550B R | QT B40            | QHW15 | RB375B L/R | RB550B L/R | UWT35LB L/R | UWT55LB L/R | PS520B L/R | PS675B L/R |   |
| 2530                              | No        | ●          | ●        | ●                           | ●       | ●       | ●                                  | ●     | ●        | ●        | ●                    | ●     | ●        | ●        | ●                 | ●     | ●          | ●          | ●           | ●           | ●          | ●          | ● |
|                                   | Yes       | ●          | ●        | ●                           | ●       | ●       | ●                                  | ●     | ●        | ●        | ●                    | ●     | ●        | ●        | ●                 | ●     | ●          | ●          | ●           | ●           | ●          | ●          | ● |
| 2618                              | No        | ●          | ●        | ●                           | ●       | ●       | ●                                  | ●     | ●        | ●        | ●                    | ●     | ●        | ●        | ●                 | ●     | ●          | ●          | ●           | ●           | ●          | ●          | ● |
|                                   | Yes       | ●          | ●        | ●                           | ●       | ●       | ●                                  | ●     | ●        | ●        | ●                    | ●     | ●        | ●        | ●                 | ●     | ●          | ●          | ●           | ●           | ●          | ●          | ● |
| 2707                              | No        | ●          | ●        | ●                           | ●       | ●       | ●                                  | ●     | ●        | ●        | ●                    | ●     | ●        | ●        | ●                 | ●     | ●          | ●          | ●           | ●           | ●          | ●          | ● |
|                                   | Yes       | ●          | ●        | ●                           | ●       | ●       | ●                                  | ●     | ●        | ●        | ●                    | ●     | ●        | ●        | ●                 | ●     | ●          | ●          | ●           | ●           | ●          | ●          | ● |
| 2795                              | No        | ●          | ●        | ●                           | ●       | ●       | ●                                  | ●     | ●        | ●        | ●                    | ●     | ●        | ●        | ●                 | ●     | ●          | ●          | ●           | ●           | ●          | ●          | ● |
|                                   | Yes       | ●          | ●        | ●                           | ●       | ●       | ●                                  | ●     | ●        | ●        | ●                    | ●     | ●        | ●        | ●                 | ●     | ●          | ●          | ●           | ●           | ●          | ●          | ● |

Note: Tip Top Equipment reserves the right to change specifications, materials used, and prices at any time.