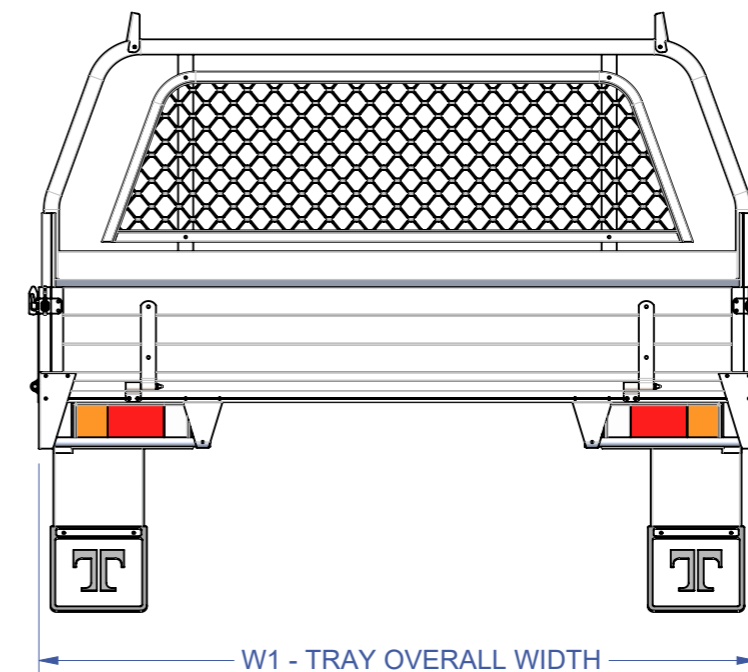
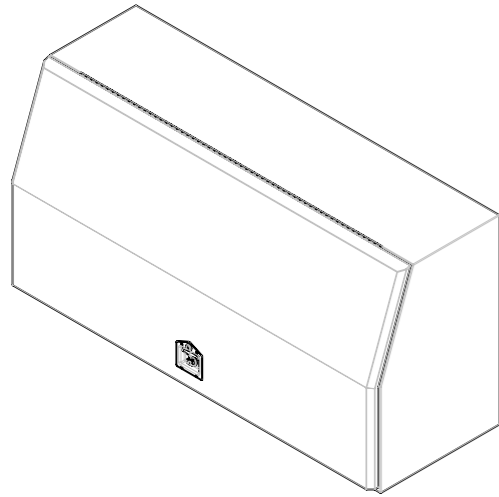


Lengths (mm)	L1	L2	L3
	Overall Tray Length	Internal Tray Length	Internal with Rear Rack
Standard Length	2530	2445	2350
Extend Tray Length - 88mm	2618	2533	2438
Extend Tray Length - 177mm	2707	2622	2527
Extend Tray Length - 265mm	2795	2710	2615
Widths (mm)	W1	W2	W2
	Overall Tray Width	Internal Tray Width	Internal with Rear Rack
	1890	1832	1720
Heights (mm)	H1	H1	H2
	Standard Height	Height with Trundle Tray	Height to Floor 225mm Drop Side
	940	940	244



Note: Tip Top Equipment reserves the right to change specifications, materials used, and prices at any time.

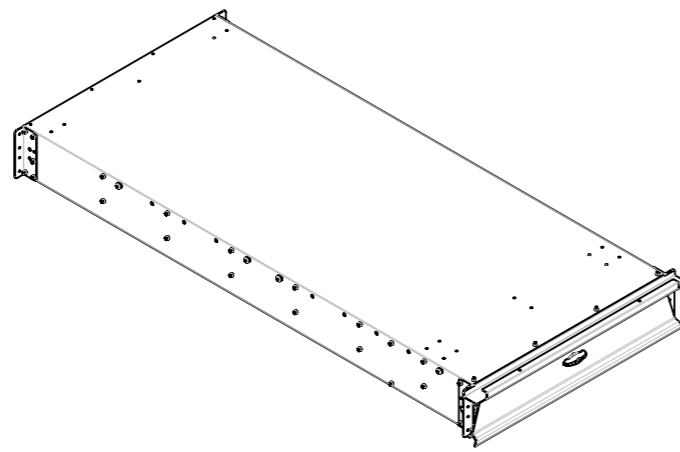
## TOOLBOXES



**TAJ 1425**  
2mm ALUMINIUM CHECKER PLATE  
1425L x 850H x 600D

**TAJ 1700**  
2mm ALUMINIUM CHECKER PLATE  
1700L x 850H x 600D

## TRUNDLE TRAYS

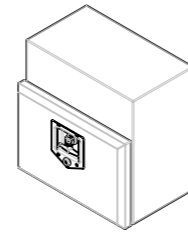


**QTT 1500**  
External: 1500L x 750W x 170H  
Internal: 1440L x 680W x 134H

**QTT 1800**  
External: 1800L x 750W x 170H  
Internal: 1740L x 680W x 134H

**QTT 2100**  
External: 2100L x 750W x 170H  
Internal: 2040L x 680W x 134H

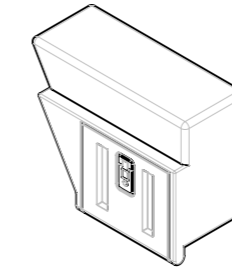
## UNDER BODY BOXES



**ROPE BOX**  
QT B 40  
ALUMINIUM  
CHECKER PLATE  
400L x 400H x 270D

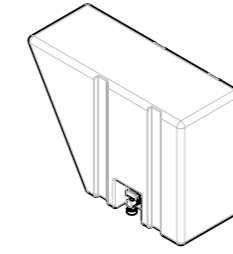


**HANDWASH UNIT**  
QHW 15  
BLACK POLY  
340L x 300H x 250D



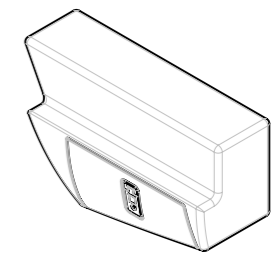
**ROPE BOXES**  
RB 375B L/R  
BLACK POLY  
590L x 400H x 270D

RB 550B L/R  
BLACK POLY  
740L x 400H x 270D



**WATER TANKS**  
UWT 35LB L/R  
BLACK POLY  
590L x 400H x 270D

UWT 55LB L/R  
BLACK POLY  
740L x 400H x 270D



**SPORTS PANNIER BOXES**  
PS 520B L/R  
BLACK POLY  
740L x 270D

PS 675B L/R  
BLACK POLY  
900L x 270D

Nissan Navara Single Cab		Tool Boxes		Trundle Tray Storage Drawer			Under Body Boxes Front - Passenger				Front - Drivers Side				Rear - Both Sides								
L1 Overall Tray Length mm	Rear Rack	TAJ 1425	TAJ 1700	QTT 1500	QTT 1800	QTT 2100	QT B 40	QHW 15	RB 375B L	RB 550B L	QT B 40	QHW 15	RB 375B R	RB 550B R	QT B 40	QHW 15	RB 375B L/R	RB 550B L/R	UWT 35LB L/R	UWT 55LB L/R	PS 520B L/R	PS 675B L/R	
2530	No	●	●	●	●	●	●	●	●	●	●	●	●	●	●	●	●	●	●	●	●	●	●
	Yes	●	●	●	●	●	●	●	●	●	●	●	●	●	●	●	●	●	●	●	●	●	●
2618	No	●	●	●	●	●	●	●	●	●	●	●	●	●	●	●	●	●	●	●	●	●	●
	Yes	●	●	●	●	●	●	●	●	●	●	●	●	●	●	●	●	●	●	●	●	●	●
2707	No	●	●	●	●	●	●	●	●	●	●	●	●	●	●	●	●	●	●	●	●	●	●
	Yes	●	●	●	●	●	●	●	●	●	●	●	●	●	●	●	●	●	●	●	●	●	●
2795	No	●	●	●	●	●	●	●	●	●	●	●	●	●	●	●	●	●	●	●	●	●	●
	Yes	●	●	●	●	●	●	●	●	●	●	●	●	●	●	●	●	●	●	●	●	●	●

Note: Tip Top Equipment reserves the right to change specifications, materials used, and prices at any time.