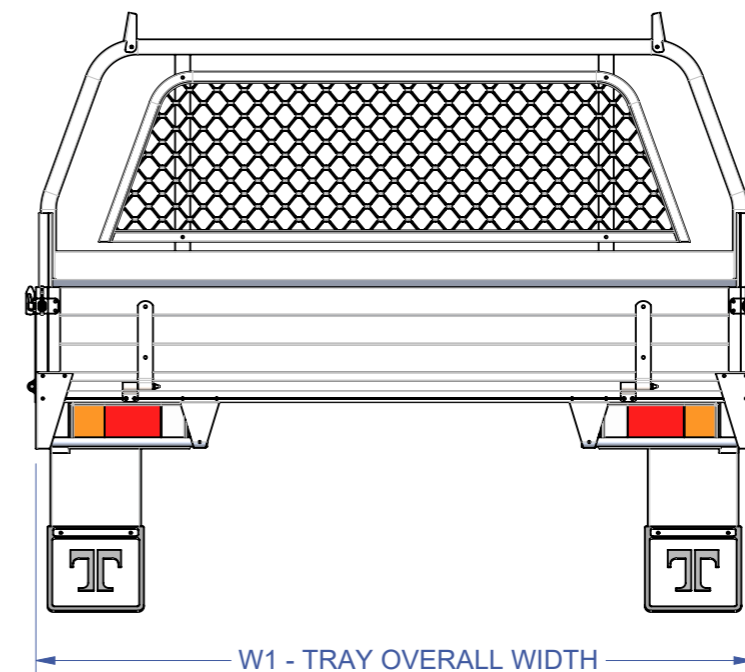
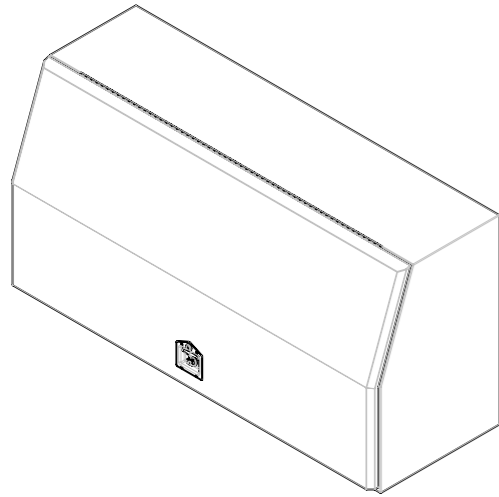


Lengths (mm)	L1	L2	L3
	Overall Tray Length	Internal Tray Length	Internal with Rear Rack
Standard Length	2090	2005	1910
Extend Tray Length - 88mm	2178	2093	1998
Extend Tray Length - 177mm	2267	2182	2087
Extend Tray Length - 265mm	2355	2270	2175
Widths (mm)	W1	W2	W2
	Overall Tray Width	Internal Tray Width	Internal with Rear Rack
	1890	1832	1720
Heights (mm)	H1	H1	H2
	Standard Height	Height with Trundle Tray	Height to Floor 225mm Drop Side
	940	915	244



Note: Tip Top Equipment reserves the right to change specifications, materials used, and prices at any time.

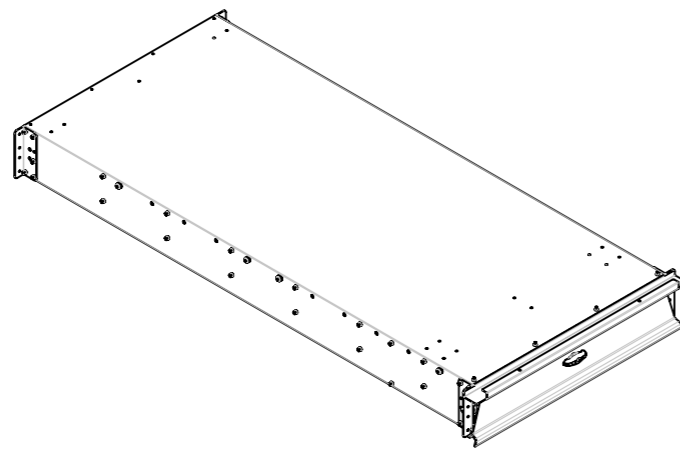
## TOOLBOXES



**TAJ 1425**  
2mm ALUMINIUM CHECKER PLATE  
1425L x 850H x 600D

**TAJ 1700**  
2mm ALUMINIUM CHECKER PLATE  
1700L x 850H x 600D

## TRUNDLE TRAYS

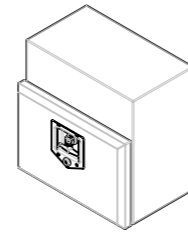


**QTT 1500**  
External: 1500L x 750W x 170H  
Internal: 1440L x 680W x 134H

**QTT 1800**  
External: 1800L x 750W x 170H  
Internal: 1740L x 680W x 134H

**QTT 2100**  
External: 2100L x 750W x 170H  
Internal: 2040L x 680W x 134H

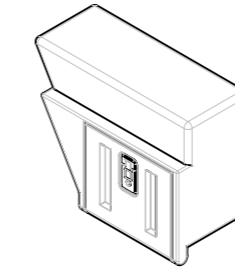
## UNDER BODY BOXES



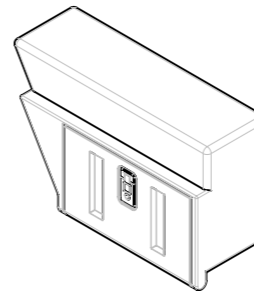
**ROPE BOX**  
QTB 40  
ALUMINIUM  
CHECKER PLATE  
400L x 400H x 270D



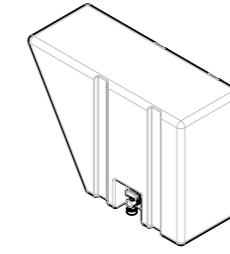
**HANDWASH UNIT**  
QHW 15  
BLACK POLY  
340L x 300H x 250D



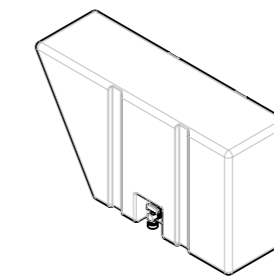
**ROPE BOXES**  
RB 375B L/R  
BLACK POLY  
590L x 400H x 270D



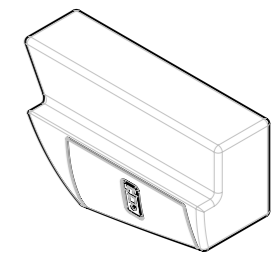
RB 550B L/R  
BLACK POLY  
740L x 400H x 270D



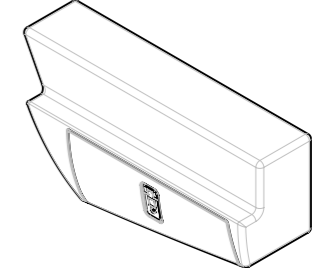
**WATER TANKS**  
UWT 35LB L/R  
BLACK POLY  
590L x 400H x 270D



UWT 55LB L/R  
BLACK POLY  
740L x 400H x 270D



**SPORTS PANNIER BOXES**  
PS 520B L/R  
BLACK POLY  
740L x 270D



PS 675B L/R  
BLACK POLY  
900L x 270D

Ranger / Mazda BT-50 Super / Freestyle Cab		Tool Boxes		Trundle Tray Storage Drawer			Under Body Boxes Front - Passenger				Front - Drivers Side				Rear - Both Sides							
L1 Overall Tray Length mm	Rear Rack	TAJ 1425	TAJ 1700	QTT1500	QTT1800	QTT2100	QTB40	QHW15	RB375B L	RB550B L	QTB40	QHW15	RB375B R	RB550B R	QTB40	QHW15	RB375B L/R	RB550B L/R	UWT35LB L/R	UWT55LB L/R	PS520B L/R	PS675B L/R
2090	No	●	●	●	●										●	●	●	●	●	●	●	●
	Yes	●		●	●										●	●	●	●	●	●	●	●
2178	No	●	●	●	●										●	●	●	●	●	●	●	●
	Yes	●	●	●	●										●	●	●	●	●	●	●	●
2267	No	●	●	●	●	●									●	●	●	●	●	●	●	●
	Yes	●	●	●	●	●									●	●	●	●	●	●	●	●
2355	No	●	●	●	●	●									●	●	●	●	●	●	●	●
	Yes	●	●	●	●	●									●	●	●	●	●	●	●	●

Note: Tip Top Equipment reserves the right to change specifications, materials used, and prices at any time.