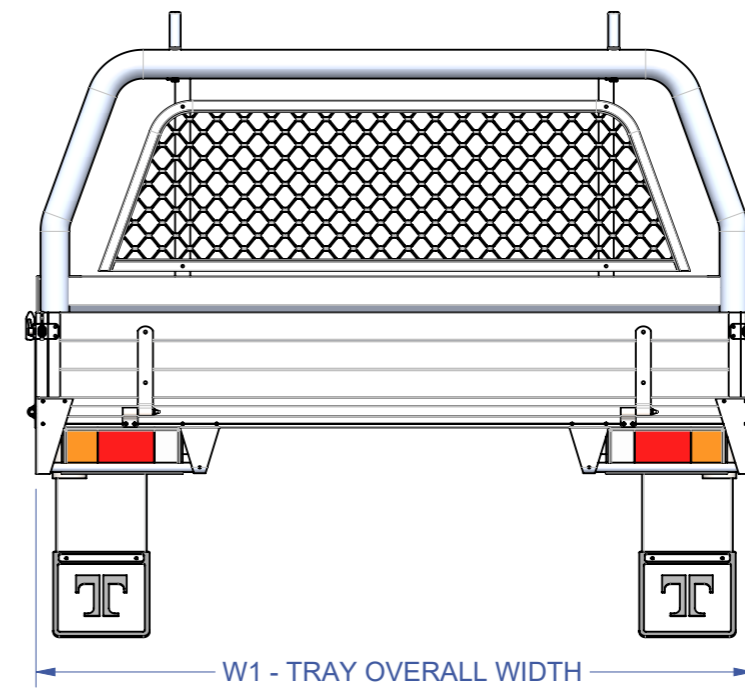
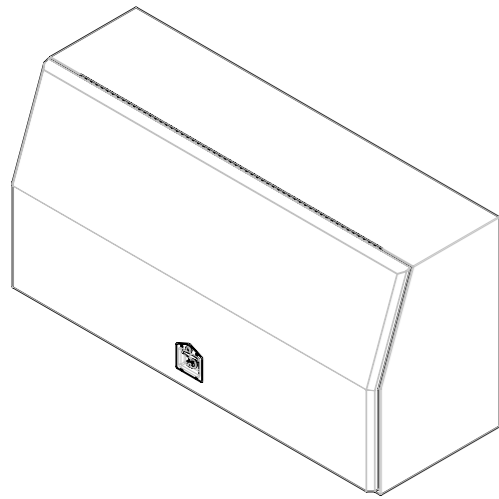


Toyota Landcruiser - Dual Cab	Tradesman Tray		
Lengths (mm)	L1	L2	L3
	Overall	Internal	Clear with
	Tray Length	Tray Length	Rear Rack
	Standard Length	1732	1587
Extend Tray Length - 88mm	1820	1675	1480
Extend Tray Length - 177mm	1909	1764	1569
Extend Tray Length - 265mm	1997	1852	1657
Widths (mm)	W1	W2	W3
	Overall	Internal	Clear with
	Tray Width	Tray Width	Rear Rack
	1890	1832	1630
Heights (mm)	H1	H1	H2
	Standard	Height with	Height to Floor
	Height	Trundle Tray	225mm Drop Side
	1085	1060	244



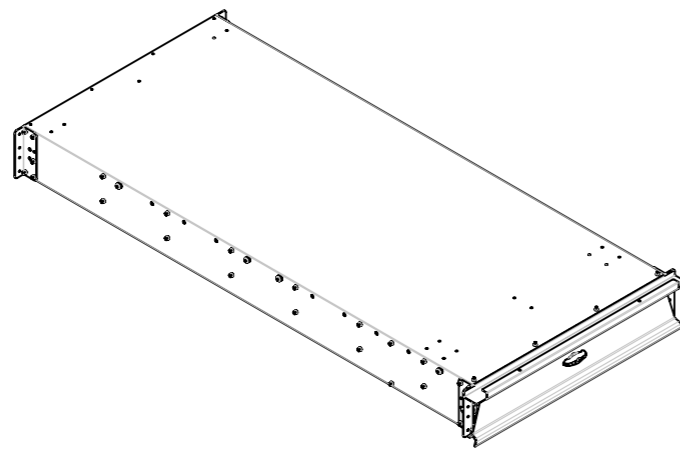
TOOLBOXES



TAJ 1425
2mm ALUMINIUM CHECKER PLATE
1425L x 850H x 600D

TAJ 1700
2mm ALUMINIUM CHECKER PLATE
1700L x 850H x 600D

TRUNDLE TRAYS

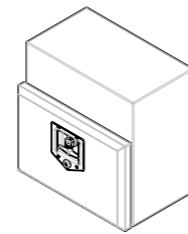


QTT 1500
External: 1500L x 750W x 170H
Internal: 1440L x 680W x 134H

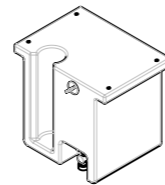
QTT 1800
External: 1800L x 750W x 170H
Internal: 1740L x 680W x 134H

QTT 2100
External: 2100L x 750W x 170H
Internal: 2040L x 680W x 134H

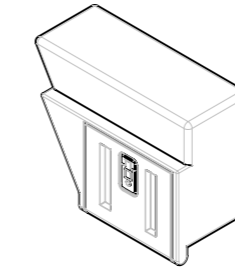
UNDER BODY BOXES



ROPE BOX
QTB 40
ALUMINIUM
CHECKER PLATE
400L x 400H x 270D

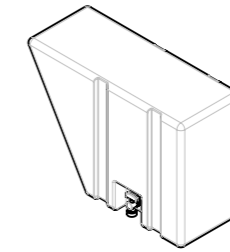


HANDWASH UNIT
QHW 15
BLACK POLY
340L x 300H x 250D



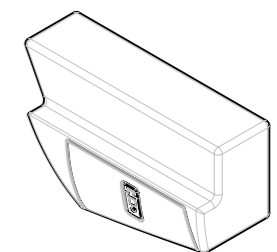
ROPE BOXES
RB 375B L/R
BLACK POLY
590L x 400H x 270D

RB 550B L/R
BLACK POLY
740L x 400H x 270D



WATER TANKS
UWT 35LB L/R
BLACK POLY
590L x 400H x 270D

UWT 55LB L/R
BLACK POLY
740L x 400H x 270D



SPORTS PANNIER BOXES
PS 520B L/R
BLACK POLY
740L x 270D

PS 675B L/R
BLACK POLY
900L x 270D

Toyota Landcruiser Dual Cab		Tool Boxes		Trundle Tray Storage Drawer			Under Body Boxes Front - Both Sides				Rear - Passenger Side				Rear - Drivers Side								
Tray Length	Rear Rack	TAJ 1425	TAJ 1700	TT 1500	TT 1800	TT 2100	QTB40	QHW15	RB375B L/R	RB550B L/R	QTB40	QHW15	RB375B L	RB550B L	UWT35LB L	UWT55LB L	QTB40	QHW15	RB375B R	RB550B R	UWT35LB R	UWT55LB R	
1732	No	●		●			●	●	●														
	Yes			●			●	●	●														
1820	No	●		●			●	●	●														
	Yes			●			●	●	●														
1909	No	●	●	●			●	●	●														
	Yes	●		●			●	●	●														
1997	No	●	●	●	●		●	●	●			●											
	Yes	●		●	●		●	●	●														

Note: Tip Top Equipment reserves the right to change specifications, materials used, and prices at any time.