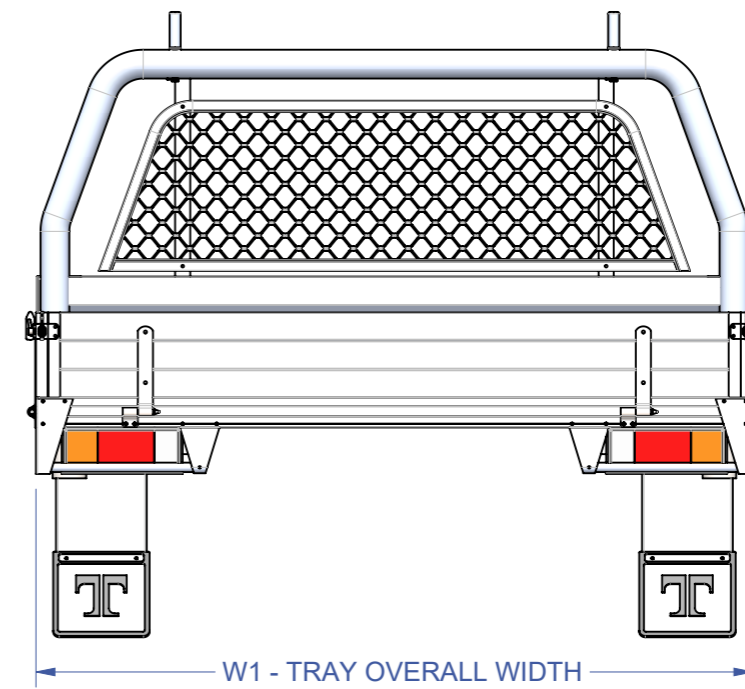


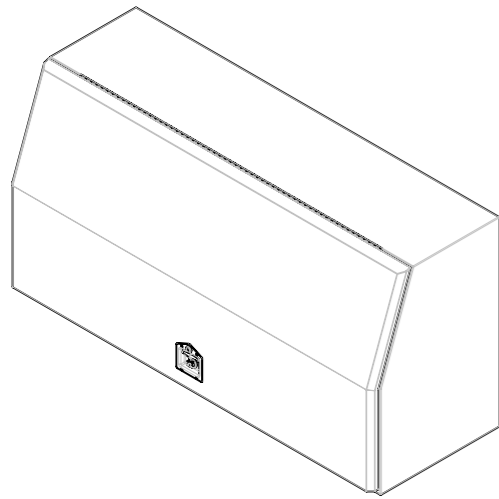
VW T6 Transporter - Double Cab

Tradesman Tray

Lengths (mm)	L1	L2	L3
	Overall Tray Length	Internal Tray Length	Clear with Rear Rack
Standard Length	2440	2295	2100
Extend Tray Length - 88mm	2528	2383	2188
Extend Tray Length - 177mm	2617	2472	2277
Extend Tray Length - 265mm	2705	2560	2365
Widths (mm)	W1	W2	W3
	Overall Tray Width	Internal Tray Width	Clear with Rear Rack
	1890	1832	1630
Heights (mm)	H1	H1	H2
	Standard Height	Height with Trundle Tray	Height to Floor 225mm Drop Side
	1180	1180	244



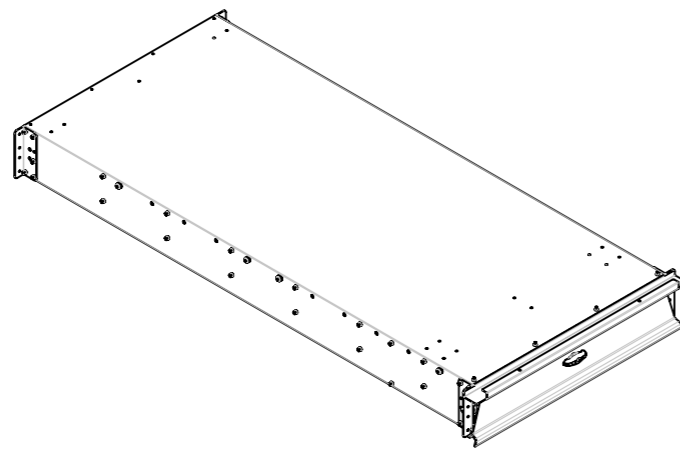
TOOLBOXES



TAJ 1425
2mm ALUMINIUM CHECKER PLATE
1425L x 850H x 600D

TAJ 1700
2mm ALUMINIUM CHECKER PLATE
1700L x 850H x 600D

TRUNDLE TRAYS

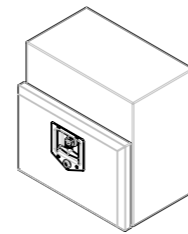


QTT 1500
External: 1500L x 750W x 170H
Internal: 1440L x 680W x 134H

QTT 1800
External: 1800L x 750W x 170H
Internal: 1740L x 680W x 134H

QTT 2100
External: 2100L x 750W x 170H
Internal: 2040L x 680W x 134H

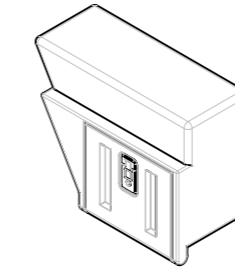
UNDER BODY BOXES



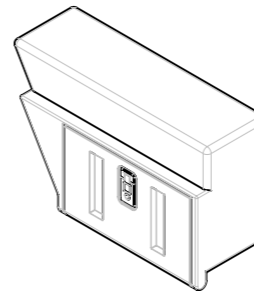
ROPE BOX
QT B 40
ALUMINIUM
CHECKER PLATE
400L x 400H x 270D



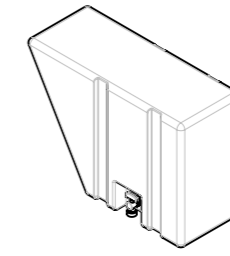
HANDWASH UNIT
QHW 15
BLACK POLY
340L x 300H x 250D



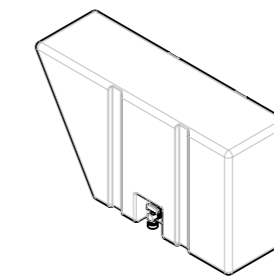
ROPE BOXES
RB 375B L/R
BLACK POLY
590L x 400H x 270D



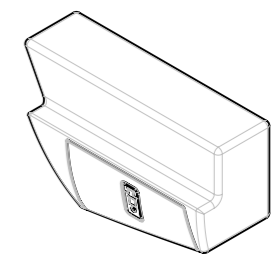
RB 550B L/R
BLACK POLY
740L x 400H x 270D



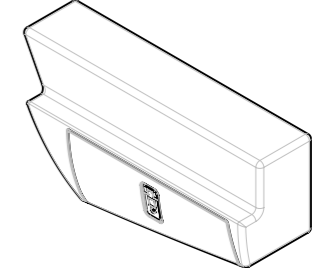
WATER TANKS
UWT 35LB L/R
BLACK POLY
590L x 400H x 270D



UWT 55LB L/R
BLACK POLY
740L x 400H x 270D



SPORTS PANNIER BOXES
PS 520B L/R
BLACK POLY
740L x 270D



PS 675B L/R
BLACK POLY
900L x 270D

VW T6 Transporter Double Cab		Tool Boxes		Trundle Tray Storage Drawer			Under Body Boxes				Rear - Both Sides											
							Front - Passenger		Front - Drivers Side													
L1 Overall Tray Length mm	Rear Rack	TAJ 1425	TAJ 1700	QTT 1500	QTT 1800	QTT 2100	QT B 40	QHW 15	RB 375B L	RB 550B L	QT B 40	QHW 15	RB 375B R	RB 550B R	QT B 40	QHW 15	RB 375B L/R	RB 550B L/R	UWT 35LB L/R	UWT 55LB L/R	PS 520B L/R	PS 675B L/R
2440	No	●	●	●	●	●	●	●	●		●	●	●		●	●	●	●	●	●	●	●
	Yes	●	●	●	●	●	●	●	●		●	●	●		●	●	●	●	●	●	●	●
2528	No	●	●	●	●	●	●	●	●		●	●	●		●	●	●	●	●	●	●	●
	Yes	●	●	●	●	●	●	●	●		●	●	●		●	●	●	●	●	●	●	●
2617	No	●	●	●	●	●	●	●	●		●	●	●		●	●	●	●	●	●	●	●
	Yes	●	●	●	●	●	●	●	●		●	●	●		●	●	●	●	●	●	●	●
2705	No	●	●	●	●	●	●	●	●		●	●	●		●	●	●	●	●	●	●	●
	Yes	●	●	●	●	●	●	●	●		●	●	●		●	●	●	●	●	●	●	●

Note: Tip Top Equipment reserves the right to change specifications, materials used, and prices at any time.