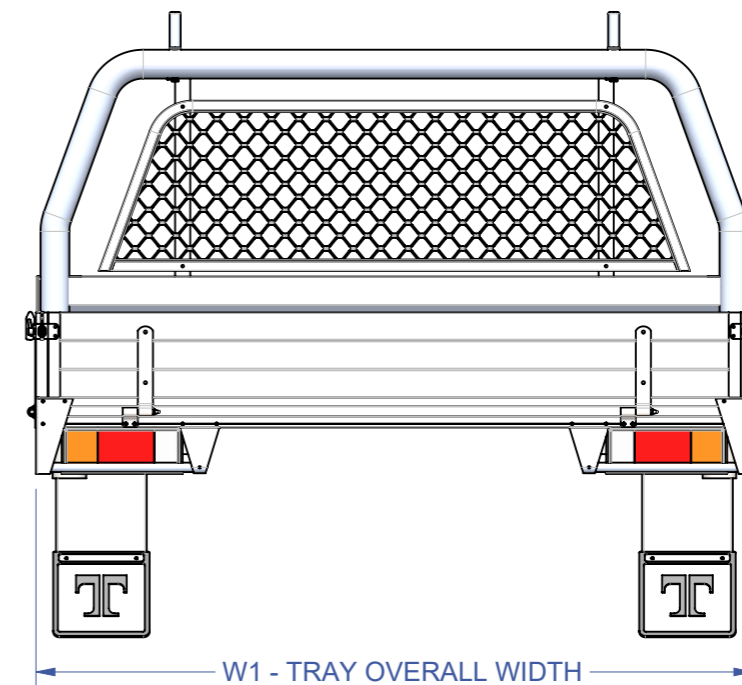


Colorado / Isuzu D-Max - Single Cab

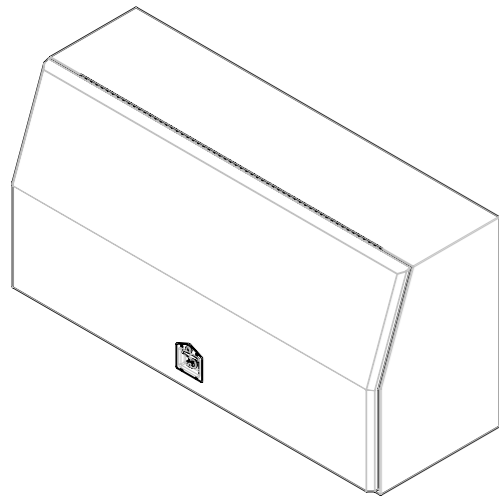
Tradesman Tray

| Lengths (mm) | L1 | L2 | L3 |
|----------------------------|------------------------|-----------------------------|------------------------------------|
| | Overall Tray Length | Internal Tray Length | Clear with Rear Rack |
| Standard Length | 2530 | 2385 | 2190 |
| Extend Tray Length - 88mm | 2618 | 2473 | 2278 |
| Extend Tray Length - 177mm | 2707 | 2562 | 2367 |
| Extend Tray Length - 265mm | 2795 | 2650 | 2455 |
| Widths (mm) | W1 | W2 | W3 |
| | Overall Tray Width | Internal Tray Width | Clear with Rear Rack |
| | 1890 | 1832 | 1630 |
| Heights (mm) | H1 | H1 | H2 |
| | Standard Height | Height with Trundle Tray | Height to Floor 225mm Drop Side |
| | 940 | 940 | 244 |



Note: Tip Top Equipment reserves the right to change specifications, materials used, and prices at any time.

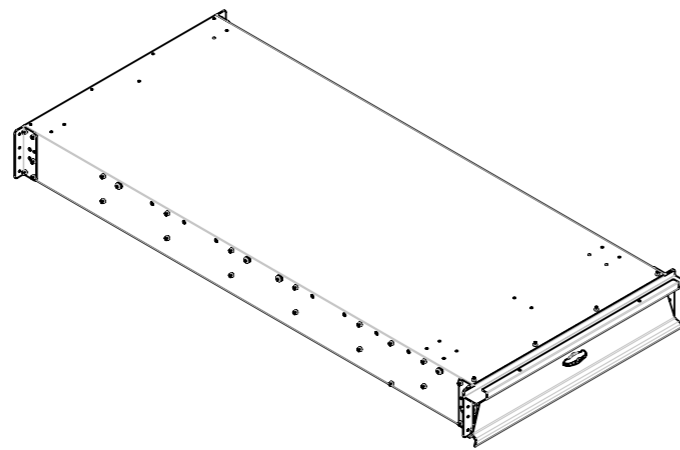
TOOLBOXES



TAJ 1425
2mm ALUMINIUM CHECKER PLATE
1425L x 850H x 600D

TAJ 1700
2mm ALUMINIUM CHECKER PLATE
1700L x 850H x 600D

TRUNDLE TRAYS

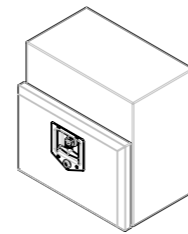


QTT 1500
External: 1500L x 750W x 170H
Internal: 1440L x 680W x 134H

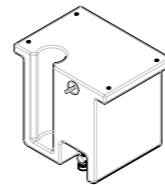
QTT 1800
External: 1800L x 750W x 170H
Internal: 1740L x 680W x 134H

QTT 2100
External: 2100L x 750W x 170H
Internal: 2040L x 680W x 134H

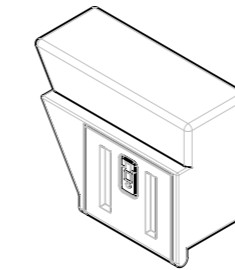
UNDER BODY BOXES



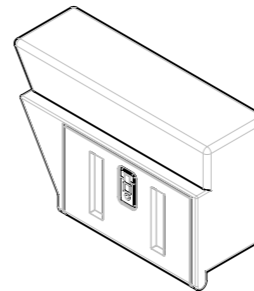
ROPE BOX
QT B 40
ALUMINIUM
CHECKER PLATE
400L x 400H x 270D



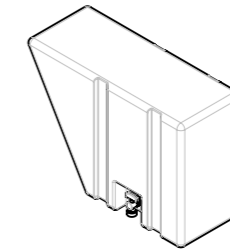
HANDWASH UNIT
QHW 15
BLACK POLY
340L x 300H x 250D



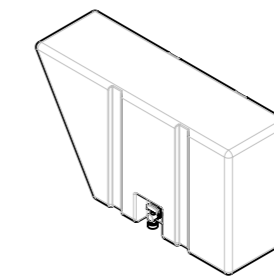
ROPE BOXES
RB 375B L/R
BLACK POLY
590L x 400H x 270D



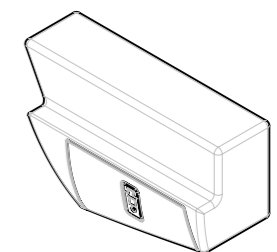
RB 550B L/R
BLACK POLY
740L x 400H x 270D



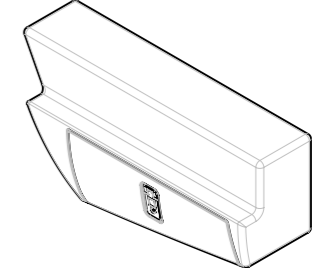
WATER TANKS
UWT 35LB L/R
BLACK POLY
590L x 400H x 270D



UWT 55LB L/R
BLACK POLY
740L x 400H x 270D



SPORTS PANNIER BOXES
PS 520B L/R
BLACK POLY
740L x 270D



PS 675B L/R
BLACK POLY
900L x 270D

| Colorado / Isuzu D-Max Single Cab | | Tool Boxes | | Trundle Tray Storage Drawer | | | Under Body Boxes | | | | Front - Drivers Side | | Rear - Both Sides | | | | | | | | | | |
|-----------------------------------|-----------|------------|----------|-----------------------------|---------|---------|------------------|-------|----------|----------|----------------------|-------|-------------------|----------|--------|-------|------------|------------|-------------|-------------|------------|------------|---|
| L1 Overall Tray Length mm | Rear Rack | TAJ 1425 | TAJ 1700 | QTT1500 | QTT1800 | QTT2100 | QT B40 | QHW15 | RB375B L | RB550B L | QT B40 | QHW15 | RB375B R | RB550B R | QT B40 | QHW15 | RB375B L/R | RB550B L/R | UWT35LB L/R | UWT55LB L/R | PS520B L/R | PS675B L/R | |
| 2530 | No | ● | ● | ● | ● | ● | ● | ● | ● | ● | ● | ● | ● | ● | ● | ● | ● | ● | ● | ● | ● | ● | ● |
| | Yes | ● | ● | ● | ● | ● | ● | ● | ● | ● | ● | ● | ● | ● | ● | ● | ● | ● | ● | ● | ● | ● | ● |
| 2618 | No | ● | ● | ● | ● | ● | ● | ● | ● | ● | ● | ● | ● | ● | ● | ● | ● | ● | ● | ● | ● | ● | ● |
| | Yes | ● | ● | ● | ● | ● | ● | ● | ● | ● | ● | ● | ● | ● | ● | ● | ● | ● | ● | ● | ● | ● | ● |
| 2707 | No | ● | ● | ● | ● | ● | ● | ● | ● | ● | ● | ● | ● | ● | ● | ● | ● | ● | ● | ● | ● | ● | ● |
| | Yes | ● | ● | ● | ● | ● | ● | ● | ● | ● | ● | ● | ● | ● | ● | ● | ● | ● | ● | ● | ● | ● | ● |
| 2795 | No | ● | ● | ● | ● | ● | ● | ● | ● | ● | ● | ● | ● | ● | ● | ● | ● | ● | ● | ● | ● | ● | ● |
| | Yes | ● | ● | ● | ● | ● | ● | ● | ● | ● | ● | ● | ● | ● | ● | ● | ● | ● | ● | ● | ● | ● | ● |

Note: Tip Top Equipment reserves the right to change specifications, materials used, and prices at any time.