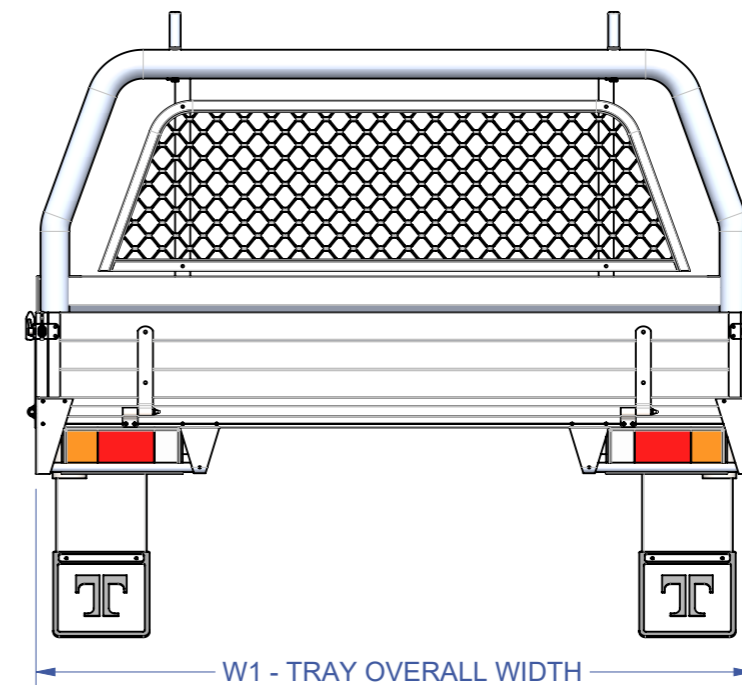


Toyota Hilux - Single Cab

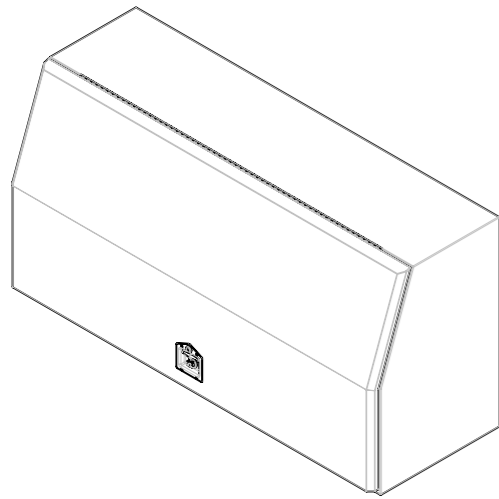
Tradesman Tray

Lengths (mm)	L1	L2	L3
	Overall Tray Length	Internal Tray Length	Clear with Rear Rack
Standard Length	2530	2385	2190
Extend Tray Length - 88mm	2618	2473	2278
Extend Tray Length - 177mm	2707	2562	2367
Extend Tray Length - 265mm	2795	2650	2455
Widths (mm)	W1	W2	W3
	Overall Tray Width	Internal Tray Width	Clear with Rear Rack
	1890	1832	1630
Heights (mm)	H1	H1	H2
	Standard Height	Height with Trundle Tray	Height to Floor 225mm Drop Side
	940	920	244



Note: Tip Top Equipment reserves the right to change specifications, materials used, and prices at any time.

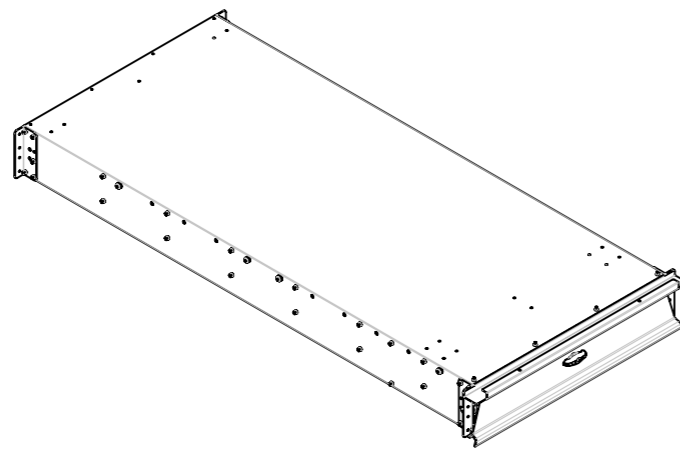
TOOLBOXES



TAJ 1425
2mm ALUMINIUM CHECKER PLATE
1425L x 850H x 600D

TAJ 1700
2mm ALUMINIUM CHECKER PLATE
1700L x 850H x 600D

TRUNDLE TRAYS

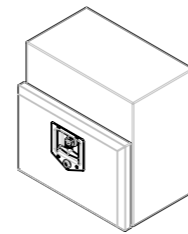


QTT 1500
External: 1500L x 750W x 170H
Internal: 1440L x 680W x 134H

QTT 1800
External: 1800L x 750W x 170H
Internal: 1740L x 680W x 134H

QTT 2100
External: 2100L x 750W x 170H
Internal: 2040L x 680W x 134H

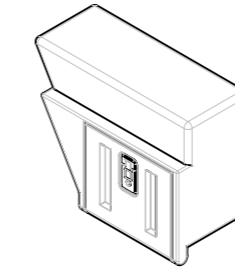
UNDER BODY BOXES



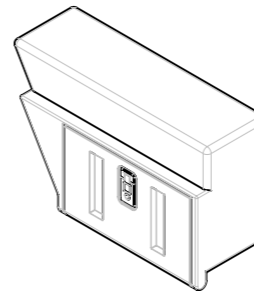
ROPE BOX
QTB 40
ALUMINIUM
CHECKER PLATE
400L x 400H x 270D



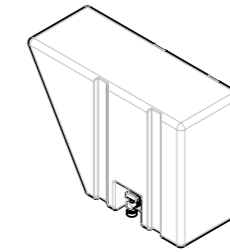
HANDWASH UNIT
QHW 15
BLACK POLY
340L x 300H x 250D



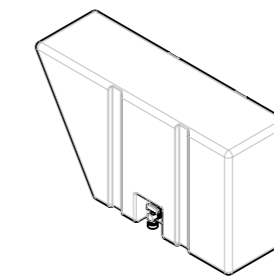
ROPE BOXES
RB 375B L/R
BLACK POLY
590L x 400H x 270D



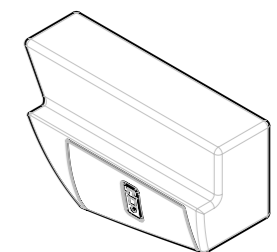
RB 550B L/R
BLACK POLY
740L x 400H x 270D



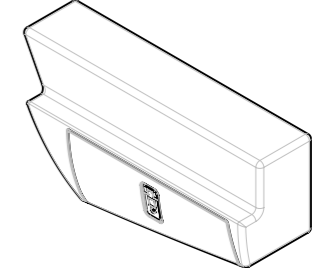
WATER TANKS
UWT 35LB L/R
BLACK POLY
590L x 400H x 270D



UWT 55LB L/R
BLACK POLY
740L x 400H x 270D



SPORTS PANNIER BOXES
PS 520B L/R
BLACK POLY
740L x 270D



PS 675B L/R
BLACK POLY
900L x 270D

Toyota Hilux Single Cab		Tool Boxes		Trundle Tray Storage Drawer			Under Body Boxes Front - Passenger				Front - Drivers Side				Rear - Both Sides								
L1 Overall Tray Length mm	Rear Rack	TAJ 1425	TAJ 1700	QTT1500	QTT1800	QTT2100	QTB40	QHW15	RB375B L	RB550B L	QTB40	QHW15	RB375B R	RB550B R	QTB40	QHW15	RB375B L/R	RB550B L/R	UWT35LB L/R	UWT55LB L/R	PS520B L/R	PS675B L/R	
2530	No	●	●	●	●	●	●	●	●	●	●	●	●	●	●	●	●	●	●	●	●	●	●
	Yes	●	●	●	●	●	●	●	●	●	●	●	●	●	●	●	●	●	●	●	●	●	●
2618	No	●	●	●	●	●	●	●	●	●	●	●	●	●	●	●	●	●	●	●	●	●	●
	Yes	●	●	●	●	●	●	●	●	●	●	●	●	●	●	●	●	●	●	●	●	●	●
2707	No	●	●	●	●	●	●	●	●	●	●	●	●	●	●	●	●	●	●	●	●	●	●
	Yes	●	●	●	●	●	●	●	●	●	●	●	●	●	●	●	●	●	●	●	●	●	●
2795	No	●	●	●	●	●	●	●	●	●	●	●	●	●	●	●	●	●	●	●	●	●	●
	Yes	●	●	●	●	●	●	●	●	●	●	●	●	●	●	●	●	●	●	●	●	●	●

Note: Tip Top Equipment reserves the right to change specifications, materials used, and prices at any time.