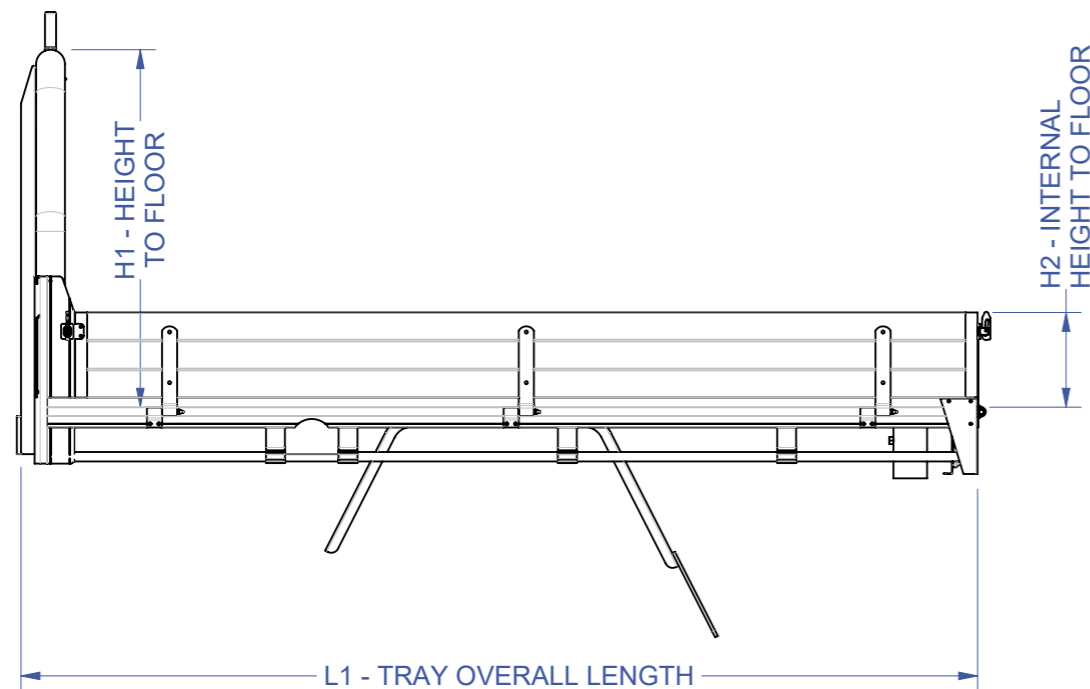
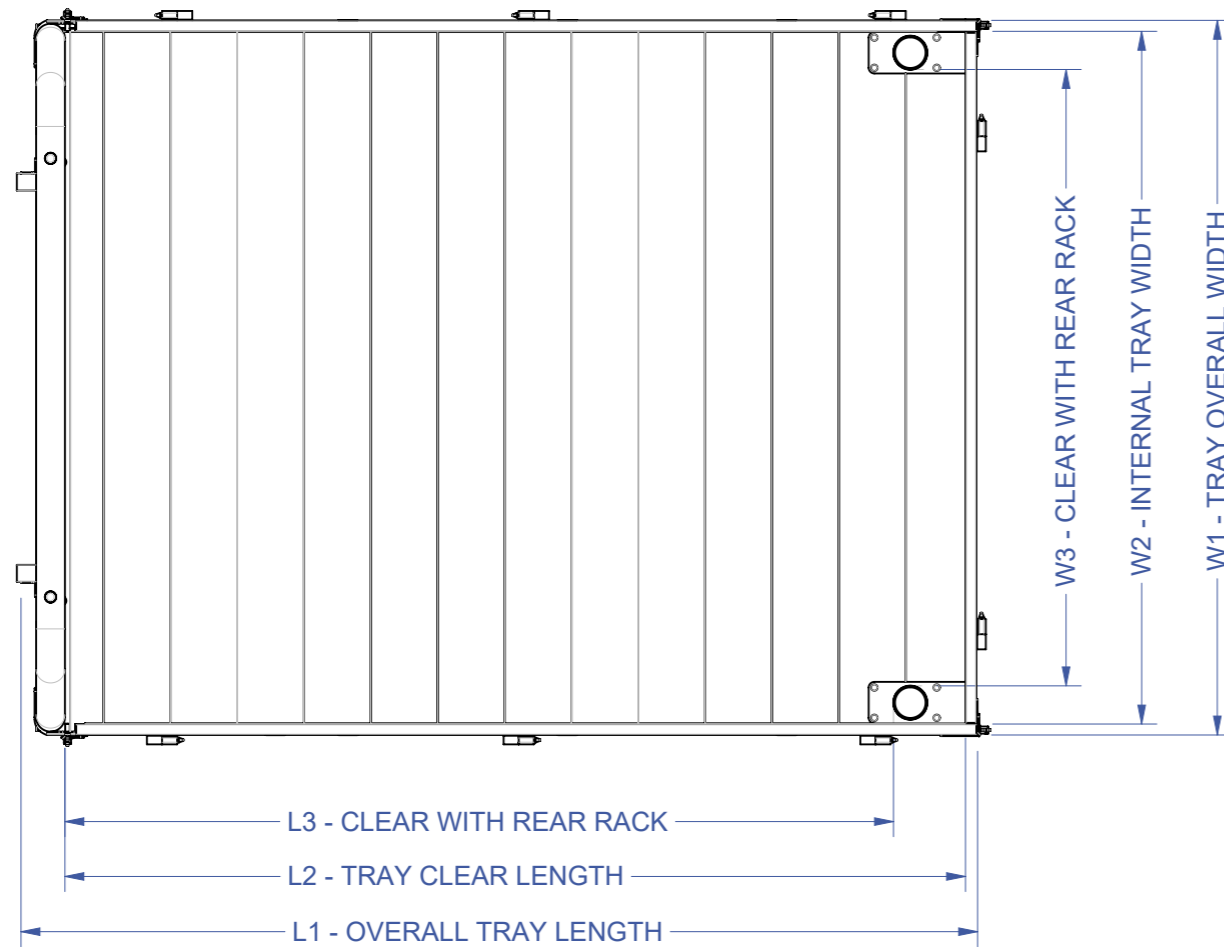
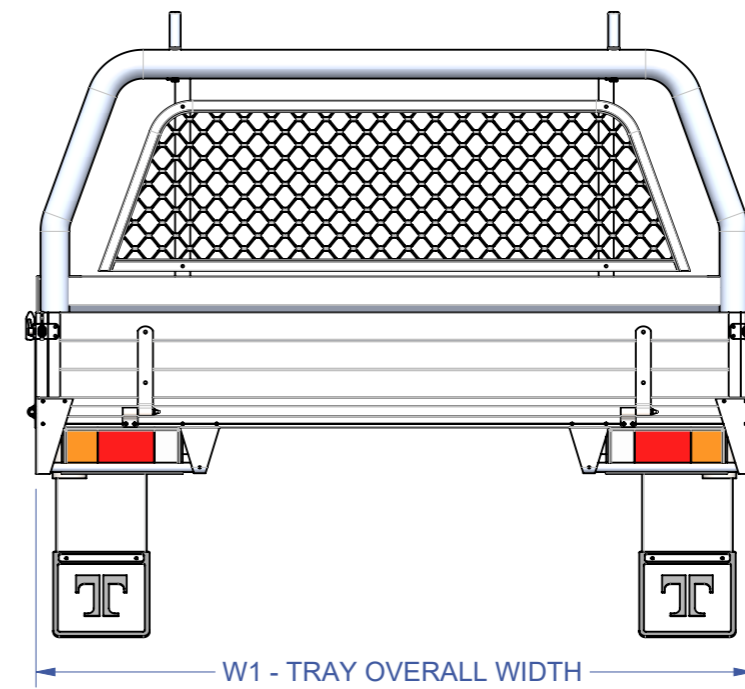


# Tradesman Tray

# Toyota Landcruiser - Single Cab

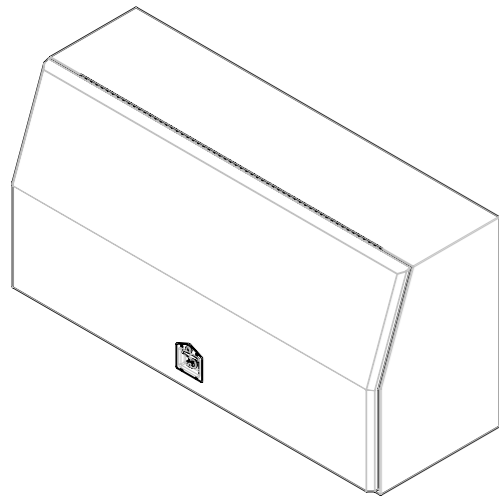


Toyota Landcruiser - Single Cab	Tradesman Tray		
<b>Lengths (mm)</b>	<b>L1</b>	<b>L2</b>	<b>L3</b>
	Overall	Internal	Clear with
	Tray Length	Tray Length	Rear Rack
Standard Length	2530	2385	2190
Extend Tray Length - 88mm	2618	2473	2278
<b>Widths (mm)</b>	<b>W1</b>	<b>W2</b>	<b>W3</b>
	Overall	Internal	Clear with
	Tray Width	Tray Width	Rear Rack
	1890	1832	1630
<b>Heights (mm)</b>	<b>H1</b>	<b>H1</b>	<b>H2</b>
	Standard	Height with	Height to Floor
	Height	Trundle Tray	225mm Drop Side
	1085	1060	244



Note: Tip Top Equipment reserves the right to change specifications, materials used, and prices at any time.

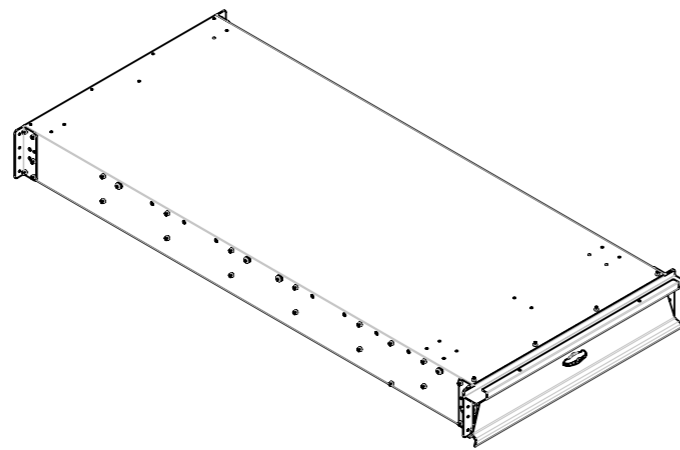
## TOOLBOXES



**TAJ 1425**  
2mm ALUMINIUM CHECKER PLATE  
1425L x 850H x 600D

**TAJ 1700**  
2mm ALUMINIUM CHECKER PLATE  
1700L x 850H x 600D

## TRUNDLE TRAYS

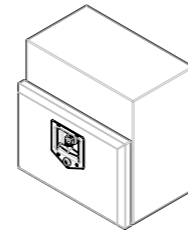


**QTT 1500**  
External: 1500L x 750W x 170H  
Internal: 1440L x 680W x 134H

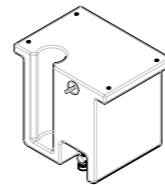
**QTT 1800**  
External: 1800L x 750W x 170H  
Internal: 1740L x 680W x 134H

**QTT 2100**  
External: 2100L x 750W x 170H  
Internal: 2040L x 680W x 134H

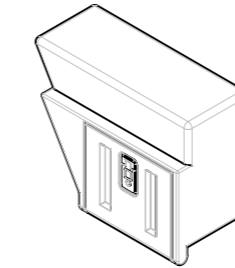
## UNDER BODY BOXES



**ROPE BOX**  
QTB 40  
ALUMINIUM  
CHECKER PLATE  
400L x 400H x 270D

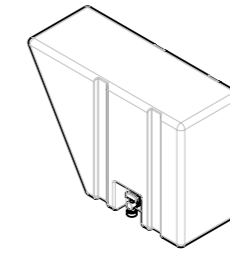


**HANDWASH UNIT**  
QHW 15  
BLACK POLY  
340L x 300H x 250D



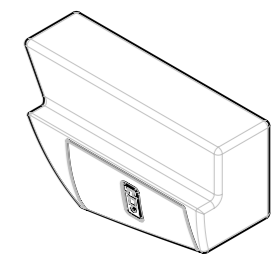
**ROPE BOXES**  
RB 375B L/R  
BLACK POLY  
590L x 400H x 270D

RB 550B L/R  
BLACK POLY  
740L x 400H x 270D



**WATER TANKS**  
UWT 35LB L/R  
BLACK POLY  
590L x 400H x 270D

UWT 55LB L/R  
BLACK POLY  
740L x 400H x 270D



**SPORTS PANNIER BOXES**  
PS 520B L/R  
BLACK POLY  
740L x 270D

PS 675B L/R  
BLACK POLY  
900L x 270D

Toyota Landcruiser Single Cab		Tool Boxes		Trundle Tray Storage Drawer			Under Body Boxes Front - Both Sides				Rear - Passenger Side				Rear - Drivers Side							
Tray Length	Rear Rack	TAJ 1425	TAJ 1700	TT 1500	TT 1800	TT 2100	QTB40	QHW15	RB375B L/R	RB550B L/R	QTB40	QHW15	RB375B L	RB550B L	UWT35LB L	UWT55LB L	QTB40	QHW15	RB375B R	RB550B R	UWT35LB R	UWT55LB R
2530	No	●	●	●	●	●	●	●	●	●												
	Yes	●	●	●	●	●	●	●	●	●					●							
2618	No	●	●	●	●	●	●	●	●	●					●							
	Yes	●	●	●	●	●	●	●	●	●					●							

Note: Tip Top Equipment reserves the right to change specifications, materials used, and prices at any time.